



GLOBE FAN

GLOBEFAN TECHNOLOGY CO., LTD.

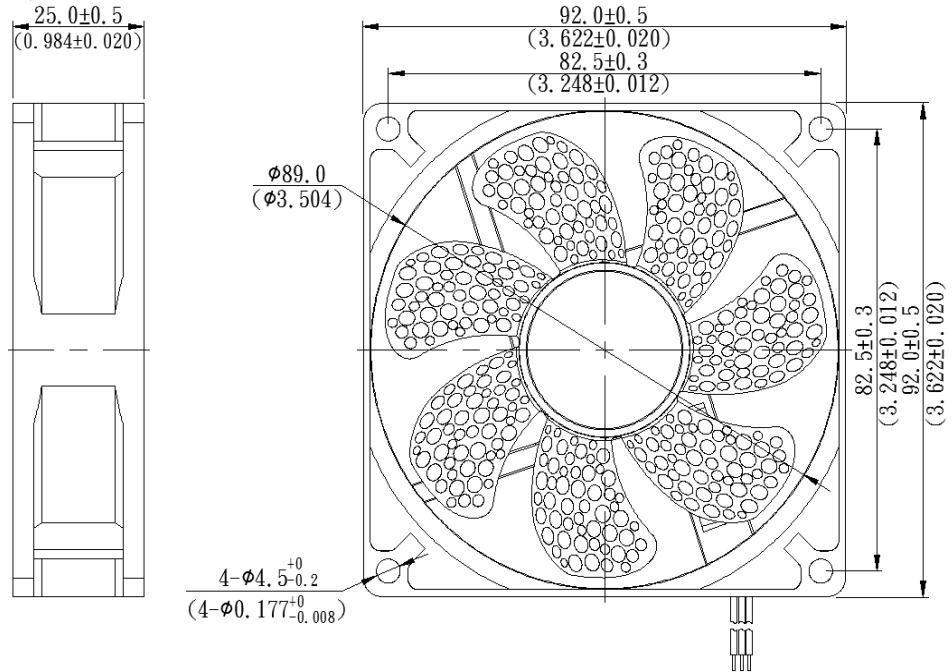
No. 28, 3 Lane Zhongxinjin Road, Jin Industry District Shoei Koo Village,

Da Laang Town, Dungguan City, Guangdong Province, China

Tel : +86 769 83182898~9

Fax : +86 769 83182897

◆ DIMENSIONS DRAWING



* BEARING TYPE

- Ball bearing
- Sleeve bearing

* Electrical Function

- Frequency Generator Output Signal
- RD (Lock Detection) Output Signal
- PWM(Pulse Width Modulation)

* Material

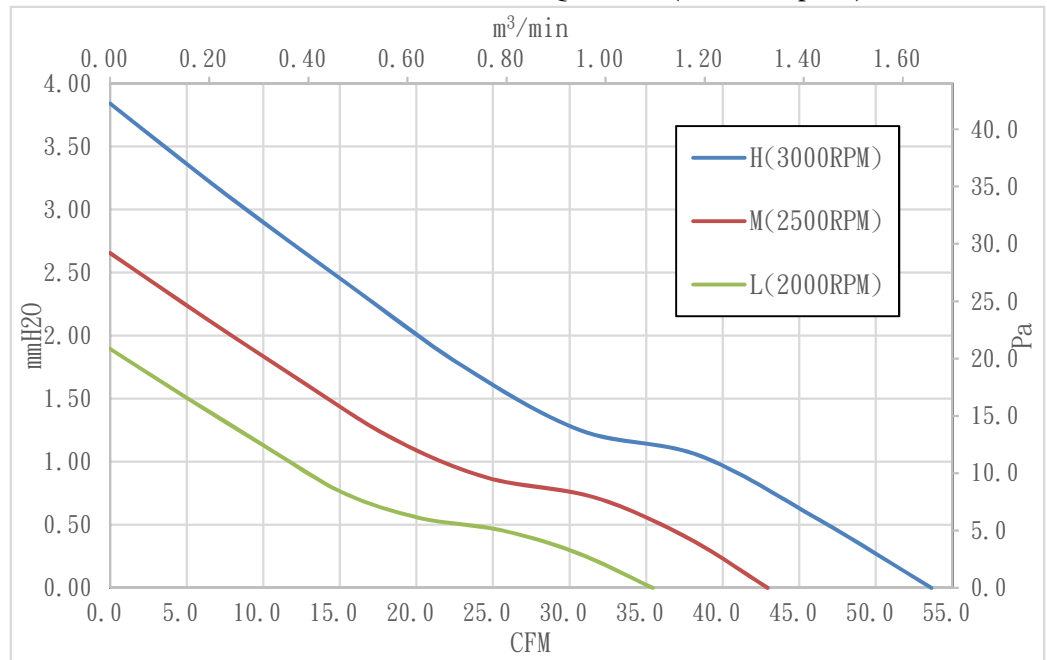
Impeller:Plastic (PBT 30%GF)
Frame :Plastic (PBT 30%GF)

* Lead wires

UL1007 26AWG or Equivalent
Black Wire Negative (-)
Red or Yellow Wire Positive (+)
Green Wire Signal (FG)
Blue Wire (PWM)

* Weight :66g (2.33 oz)

◆ 92x92x25mm DC Axial Fan P/Q Curves (At rated speed)Golf Version



MODEL	Operating Voltage Range	Rated Voltage	Rated Current	Rated Input Power	Speed	Maximum Air Flow		Maximum Air Pressure		Noise
Part No.	VDC	VDC	Amp	Watts	R.P.M	m ³ /min	CFM	mmH ₂ O	Pa	dB(A)
B/S0922512HGP-4M	6.0 ~13.8	12	0.35	4.2	3000±10%	1.52	53.62	3.85	37.76	36.4
B/S0922512MGP-4M	6.0 ~13.8	12	0.26	3.1	2500±10%	1.21	42.93	2.65	26.03	31.1
B/S0922512LGP-4M	6.0 ~13.8	12	0.18	2.2	2000±10%	1.00	35.43	1.89	18.53	25.9

* Function type is optional.

* The max. air flow and speed are measured in free air; max. air pressure is measured at close to zero air flow.

* Noise is measured in anechoic chamber in free air, one meter from intake side.

* All readings are typical values at rated voltage.

* Specifications are subject to change without notice.